

# FLOAT LEVEL SWITCHES



## Single Float Level Switches

### Standard models

- ▲ Extra long wire take out (up to 10 ft)
- ▲ 16 different dimensions available  
In stock ready to ship (2" long to 32" long)  
Can work with 55 gallon drums
- ▲ Using reed switches up to 0.5 Amps at 220VAC
- ▲ IP65
- ▲ Stainless steel and PVC
- ▲ Custom sizes available
- ▲ Custom controls available:
  - Turnkey PLC, Embedded, and Relay based
  - Fast Delivery

## Models and Styles

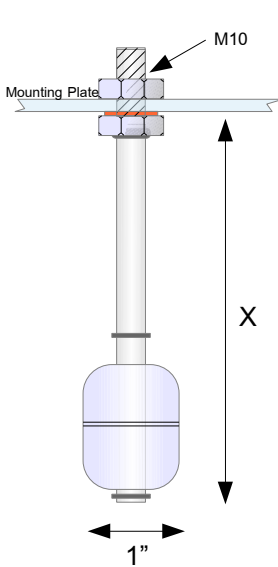


Figure 1

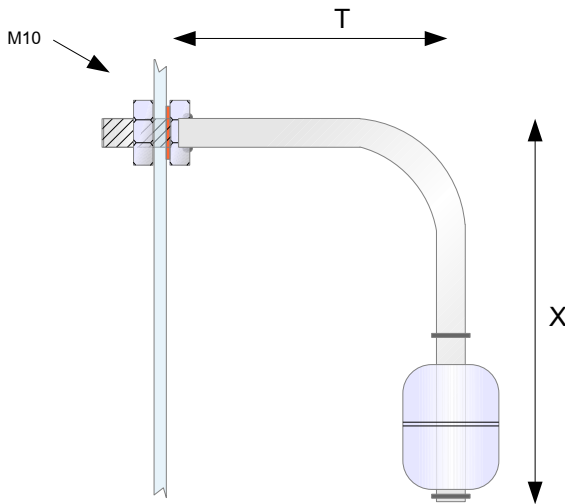


Figure 2

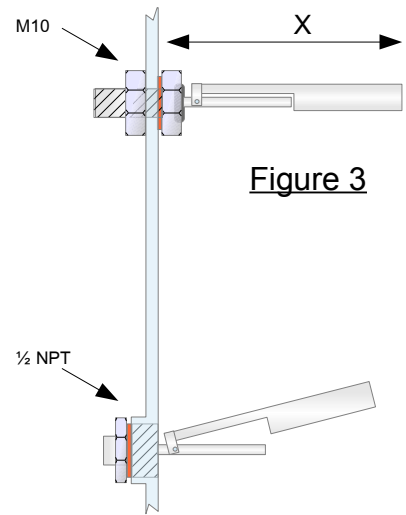


Figure 3

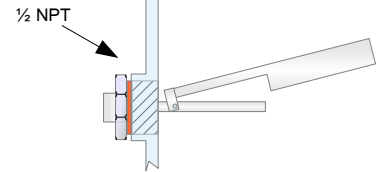
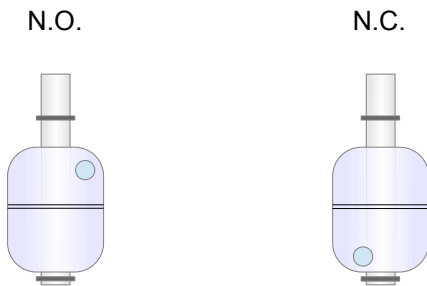


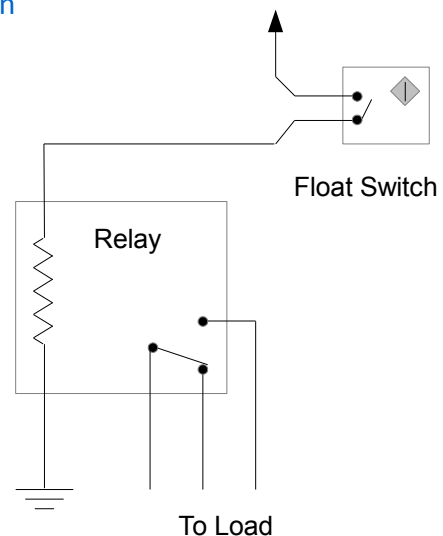
Figure 4

## Wiring Diagram

Typical test circuit and N.O. / N.C. configuration



Remove C-clip and rotate to change the output state



Product Information Sheet

# FLOAT LEVEL SWITCHES



## Single Float Level Switches Specification Chart

Product Information Sheet

Float Level Switches Selection Chart								
Part Number	Volts	Amps	Material	Size (in) X/Y/Z	Output State	Temperature	Pressure	Fig#
<b>Vertical with top mount</b>								
LVS-A-2	24DC – 220AC	0.5	SS 304	2	N.O./N.C.	-30°C to 150°C	1Mpa	1
LVS-A-4	24DC – 220AC	0.5	SS 304	4	N.O./N.C.	-30°C to 150°C	1Mpa	1
LVS-A-6	24DC – 220AC	0.5	SS 304	6	N.O./N.C.	-30°C to 150°C	1Mpa	1
LVS-A-8	24DC – 220AC	0.5	SS 304	8	N.O./N.C.	-30°C to 150°C	1Mpa	1
LVS-A-10	24DC – 220AC	0.5	SS 304	10	N.O./N.C.	-30°C to 150°C	1Mpa	1
LVS-A-12	24DC – 220AC	0.5	SS 304	12	N.O./N.C.	-30°C to 150°C	1Mpa	1
LVS-A-14	24DC – 220AC	0.5	SS 304	14	N.O./N.C.	-30°C to 150°C	1Mpa	1
LVS-A-16	24DC – 220AC	0.5	SS 304	16	N.O./N.C.	-30°C to 150°C	1Mpa	1
LVS-A-18	24DC – 220AC	0.5	SS 304	18	N.O./N.C.	-30°C to 150°C	1Mpa	1
LVS-A-20	24DC – 220AC	0.5	SS 304	20	N.O./N.C.	-30°C to 150°C	1Mpa	1
LVS-A-22	24DC – 220AC	0.5	SS 304	22	N.O./N.C.	-30°C to 150°C	1Mpa	1
LVS-A-24	24DC – 220AC	0.5	SS 304	24	N.O./N.C.	-30°C to 150°C	1Mpa	1
LVS-A-26	24DC – 220AC	0.5	SS 304	26	N.O./N.C.	-30°C to 150°C	1Mpa	1
LVS-A-28	24DC – 220AC	0.5	SS 304	28	N.O./N.C.	-30°C to 150°C	1Mpa	1
LVS-A-30	24DC – 220AC	0.5	SS 304	30	N.O./N.C.	-30°C to 150°C	1Mpa	1
LVS-A-32	24DC – 220AC	0.5	SS 304	32	N.O./N.C.	-30°C to 150°C	1Mpa	1
<b>Vertical with side mount</b>								
LCS-A-32	24DC – 220AC	0.5	SS 304	3/2	N.O./N.C.	-30°C to 150°C	1Mpa	2
<b>Horizontal</b>								
LHS-A-3	24DC – 220AC	0.5	SS 304	3	N.O.	-30°C to 150°C	1Mpa	3
LHS-B-3	24DC – 220AC	0.5	SS 304	3	N.O.	-30°C to 150°C	1Mpa	4

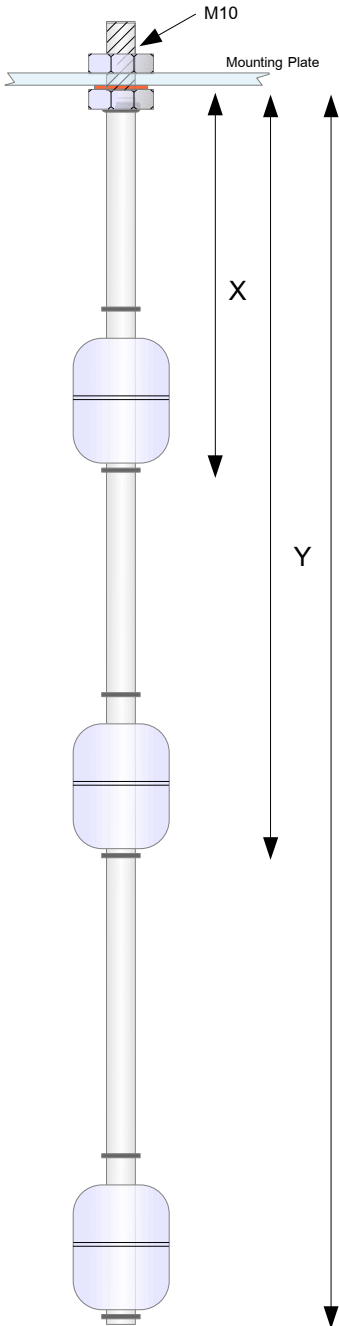
# MULTIPLE FLOAT LEVEL SWITCHES



## Multiple Float Level Switches

Custom Build Based on Customer Specification

Product Information Sheet

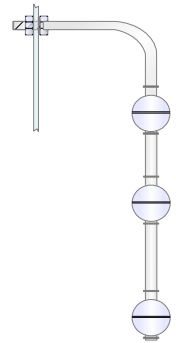


- ▲ Every float switch output state is N.O / N.C. Configurable
- ▲ Typically 3 week delivery time frame
- ▲ 2 wires per circuit ( Gage may be specified)
- ▲ Using reed switches up to 0.5 Amps at 220VAC
- ▲ IP65
- ▲ Stainless steel construction only
- ▲ Custom controls available:
  - Turnkey PLC, Embedded, and Relay based
  - Fast delivery

## Custom Part Number

In Stainless Steel Construction Only

LVS-A-X-Y-Z or LCS-A-X-Y-Z



## Wiring Diagram

Typical test circuit and N.O. / N.C. configuration

