



Flow Switch

Standard models



- ▲ different size inlets available
In stock ready to ship
- ▲ Using reed switches up to 0.5 Amps at 220VAC
- ▲ Available in PVC, Brass, or stainless steel
- ▲ IP65
- ▲ Custom sizes available
- ▲ Custom controls available:
 - Turnkey PLC, Embedded, and Relay based
 - Fast delivery

Models and Styles

Illustrations are not representative of actual

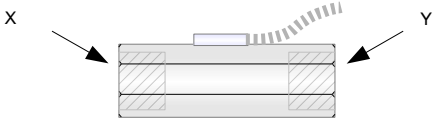


Figure 1 (FF)

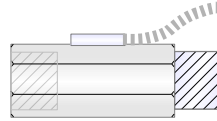


Figure 2 (MF)

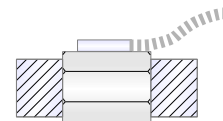
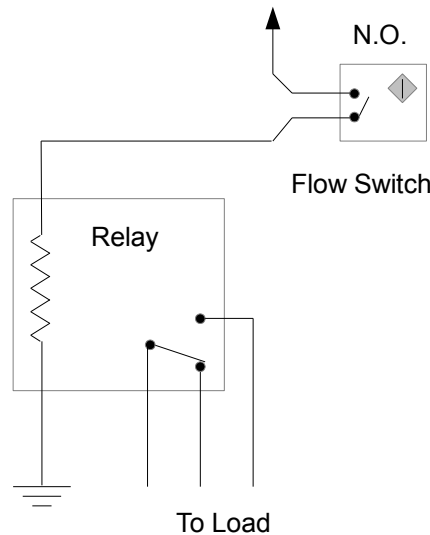


Figure 3 (MM)

Wiring Diagram

Typical test circuit and N.O. / N.C. configuration



FLOW SWITCHES



Flow Switches

Specification Chart

Product Information Sheet

Flow Switches Selection Chart									
Part Number	Volts	Amps	Material	Size X/Y/Z	Output State	Temperature	Pressure	Min/Max Flow L/min)	Fig#
Brass flow switches									
FB-FF-15	24DC – 220AC	0.5	Brass	1/2"NPT	N.O.	1°C to 120°C	1Mpa	1-30	1
FB-FF-20	24DC – 220AC	0.5	Brass	3/4"NPT	N.O.	1°C to 120°C	1Mpa	1-30	1
FB-FF-25	24DC – 220AC	0.5	Brass	1" NPT	N.O.	1°C to 120°C	1Mpa	1-30	1
FB-FF-30	24DC – 220AC	0.5	Brass	1-1/4" NPT	N.O.	1°C to 120°C	1Mpa	1-30	1
FB-FF-40	24DC – 220AC	0.5	Brass	1-1/2" NPT	N.O.	1°C to 120°C	1Mpa	1-30	1
FB-FF-50	24DC – 220AC	0.5	Brass	2" NPT	N.O.	1°C to 120°C	1Mpa	1-30	1
Stainless Steel flow switches									
FS-FF-15	24DC – 220AC	0.5	SS 304	1/2"NPT	N.O.	1°C to 120°C	1Mpa	1-30	1
FS-MM-15	24DC – 220AC	0.5	SS 304	1/2"NPT	N.O.	1°C to 120°C	1Mpa	1-30	3
PVC flow switches									
FP-MM-15	24DC – 220AC	0.5	PVC	1/2"NPT	N.O.	1°C to 120°C	1Mpa	1-30	3
FP-MF-15	24DC – 220AC	0.5	PVC	1/2"NPT	N.O.	1°C to 120°C	1Mpa	1-30	2



Flow Sensors (Counter)

Specification Chart

Flow Sensor/Counter Selection Chart									
Part Number	Volts	Amps	Material	Size X/Y/Z	Pulse per liter	Temperature	Pressure Max	Min/Max Flow (L/min)	Fig#
Brass flow switches									
FP-MM-15-C	5VDC	0.010	PVC	1/2"NPT	270	1°C to 120°C	1Mpa	1-30	